



ICN-2P35-TLED-N

Brand Name	Centium
Driver Type	T8 LED Electronic
Lamp Connection	Parallel
Input Voltage	120~277V
Input Frequency	50/60 Hz
Status	Active



Specifications

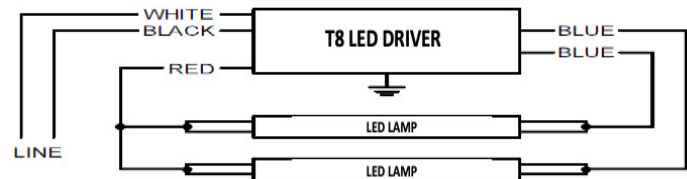
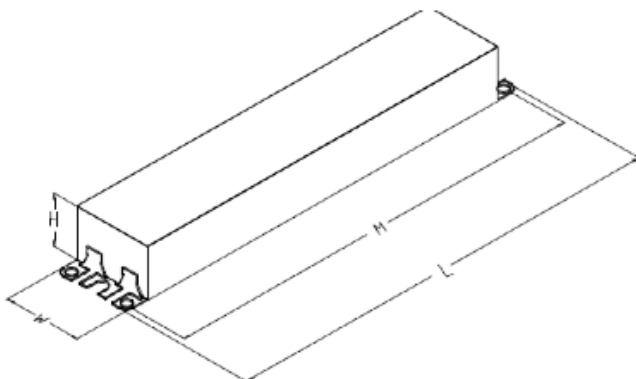
Description	Product No.	Model No.	Ordering Code	Bare Lamp Watts (W)	Nom. Initial Lumens	Min. Start Temp (°F/°C)	Num. of Lamps	Input Current (A)	Input Power (W)	Max THD%	Power Factor			
Philips LED InstantFit T8 - 8' CorePro	580282	9290035567	28T8/COR/96-835/IF40/G/FA8 10/1	28	4000	-13/-25	2	0.56/0.25	67	10	0.99/0.96			
	580290	9290035568	28T8/COR/96-840/IF42/G/FA8 10/1		4200									
	533018	9290018972A	30T8/COR/96-835/IF39/G/FA8 10/1	30	3950		-13/-25	2	0.56/0.25	67	10	0.99/0.96		
	533026	9290018973A	30T8/COR/96-840/IF42/G/FA8 10/1		4200									
	533034	9290018974A	30T8/COR/96-850/IF42/G/FA8 10/1		4200									
	Philips LED InstantFit T8 - 8'	533000	9290018971	30T8/COR/96-830/IF39/G/FA8 10/1	30		3950	-13/-25	2	0.56/0.24	66	10	0.99/0.96	
		533018	9290018972	30T8/COR/96-835/IF39/G/FA8 10/1			3950							
		533026	9290018973	30T8/COR/96-840/IF42/G/FA8 10/1			4200		4200	1	0.37/0.17	44	10	0.99/0.93
533034		9290018974	30T8/COR/96-850/IF42/G/FA8 10/1											
Philips LED InstantFit T8 - 8'		469239	9290013077	35T8/96-3000 IF FA8 10/1		35	4000		-13/-25	2	0.64/0.28	77	10	0.99/0.97
		469247	9290013078	35T8/96-3500 IF FA8 10/1			4000							
	469254	9290013146	35T8/96-4000 IF FA8 10/1	4200	4200		1	0.45/0.20		54	10	0.99/0.95		
	469262	9290013147	35T8/96-6500 IF FA8 10/1											

Enclosure

	In. (cm)
Case Width (W)	1.3 (3.3)
Case Height (H)	1.0 (2.5)
Mounting Length (M)	8.90 (22.6)
Overall Length (L)	9.5 (24.1)

Wiring Diagram

	In. (cm)
Black	25 (63.5)
White	25 (63.5)
Blue	46 (116.8)
Red	79 (200.7)



Centium ICN-2P35-TLED-N

ICN-2P35-TLED-N

Brand Name	Centium
Driver Type	T8 LED Electronic
Lamp Connection	Parallel
Input Voltage	120-277V
Input Frequency	50/60 Hz
Status	Active

Electrical Specifications

Section I - Physical Characteristics

- 1.1 Driver shall be physically interchangeable with standard electromagnetic or standard electronic ballasts, where applicable.
- 1.2 Driver shall be provided with integral leads color coded per ANSI C82.11.

Section II - Performance Requirements

- 2.1 Driver shall energize compatible LED lamps within 1 second after mains power is applied.
- 2.2 Driver shall provide Independent Lamp Operation (ILO) allowing remaining lamp(s) to maintain full light output when one or more lamps fail.
- 2.3 Driver shall contain auto restart circuitry in order to restart lamps without resetting power.
- 2.4 Driver shall operate from a 50Hz or 60 Hz AC input source of 120V through 277V with sustained variations of +/- 10% (voltage and frequency).
- 2.5 Driver shall be high frequency electronic type and operate lamps at frequencies above 42 kHz to avoid interference with infrared devices and eliminate visible flicker.
- 2.6 Driver shall have a Power Factor of 0.90 or above when operating compatible lamps.
- 2.7 Driver input current shall Total Harmonic Distortion (THD) of 10% or less.
- 2.8 Driver shall have a Class A sound rating.
- 2.9 Driver shall have a minimum starting temperature of -13°F / -25°C.
- 2.10 Driver shall tolerate sustained open circuit and short circuit output conditions.
- 2.11 Driver shall be capable of operating lamps remotely and in tandem for wire lengths up to 20 ft.
- 2.12 Driver shall be suitable of operation in up to a 45°C ambient temperature.

Section III - Regulatory Requirements

- 3.1 Driver shall not contain any Polychlorinated Biphenyl (PCB).
- 3.2 Driver shall be Underwriters Laboratories (UL) Recognized with Both UL and CSA Standards, and suitable for Damp and Dry conditions.
- 3.3 Driver shall comply with ANSI C62.41 Category A Transient protection.
- 3.4 Driver shall comply with the requirements of the Federal Communication Commission (FCC) rules and regulations, Title 47, CFR part 15, Non-Consumer (Class A) for EMI/RFI (conducted and radiated).
- 3.5 Driver shall comply with NEMA 410 for in-rush current limits.

Section IV - Other

- 4.1 Driver shall be manufactured in a factory certified to ISO 9001 Quality System Standards.
- 4.2 Driver shall carry a five year warranty from date of manufacture against defects in material and workmanship when operating in a 45°C ambient environment or less.

The information presented in this document is not intended as any commercial offer and does not form part of any quotation or contract.



© 2021 Signify Holding. All rights reserved. The information provided herein is subject to change, without notice. Signify does not give any representation or warranty as to the accuracy or completeness of the information included herein and shall not be liable for any action in reliance thereon. The information presented in this document is not intended as any commercial offer and does not form part of any quotation or contract, unless otherwise agreed by Signify.

Signify North America Corporation
200 Franklin Square Drive,
Somerset, NJ 08873
Telephone 855-486-2216

Signify Canada Ltd.
281 Hillmount Road,
Markham, ON, Canada L6C 2S3
Telephone 800-668-9008

All trademarks are owned by Signify Holding or their respective owners.