



Exit Sign and Unit Equipment in One Assembly
FirstLink Compatible for Automated Testing and Reporting
 520 Lumens from Unit Equipment
 UV Stable Thermoplastic Housing
 UL 94 5VA Flame Rating



Project: _____
 Location: _____
 Cat.No: _____
 Type: _____
 Qty: _____
 Notes: _____

Product order number: BCA2GWFL1
 BCA2RWFL1
12 NC number: 929002757113
 929002757213

Specifications

Regulatory

Listed to UL 924 for Field Installation in US and Canada (Indoor and Damp)
 NFPA 70 (National Electric Code)
 NFPA 101 (Life Safety Code)
 DOE Compliant

Emergency Output Lumens (lamp heads)

520 lumens (total)
 Fixture spacing - see page 3

Illumination Time

90 Minutes

AC Input Voltage

Universal input 120 - 277 VAC, 50/60 Hz

AC Input Current (max)

120 Vac = 60 mA
 277 Vac = 40 mA

Recharge Time

24 Hours

Charging Indicator Light / Test Switch

Integrated LED Test Switch

Temperature Rating (Ambient)

50° F to 104° F (10° C to 40° C)

Battery

Integral Maintenance-Free Lithium-Ion Battery

Construction

White thermoplastic housing
 UL94 5VA Flame Rated, UV stable
 Contractor friendly snap together design
 Electronics and battery contained within housing

Installation

Universal wall/end/ceiling mounting (universal mounting adapter provided for wall and end mounting)

Back plate keyhole slots are easily removable knockouts for securing to a 3" or 4" j-box
 Pop-out directional indicating chevrons easily removed as required

Lamps

Red or Green LEDs (depending on model)
 Two (2) 2.2 W LED lamp sources (5000K)
 Lamp heads adjustable

Wireless range*

40' (typical minimum)
 80' (line of sight)

Surge Rating

NEMA/ANSI C82.77-5-2017 100kHz Ring Wave (w/t 30Ω)
 >2.5kV Differential (L-N)
 >2.5kV Common (L-G, N-G, L&N-G)

Dimensions

8.7" H x 13.75" W x 2.13" D
 (220mm x 350mm x 255mm)

Weight

2.9 lbs. (1.32 kg)

Warranty

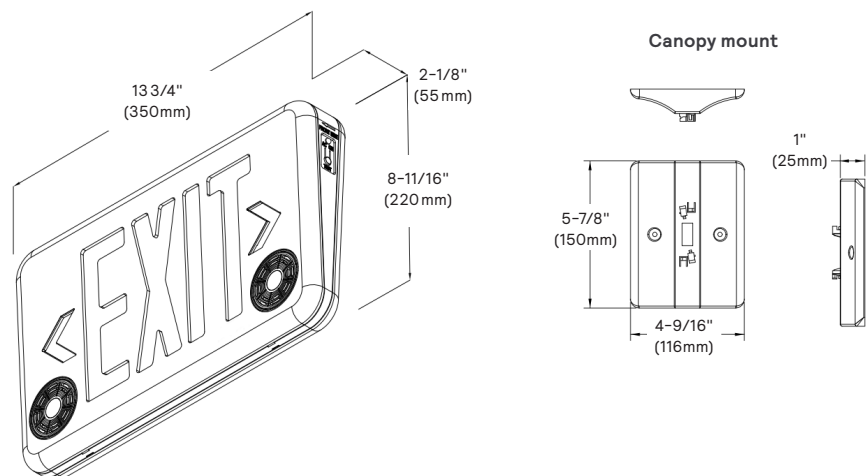
5 Years (not pro-rata)

*Wireless range can be impacted by many factors, which must be taken into account during the system design.

Benefits

- FirstLink connectivity for easy emergency lighting system testing and maintenance
- Easy installation with ABConnect
- Automatic code-compliant testing
- UL 924 Listed for field installation
- Meets DOE efficiency standards
- Standard fire alarm input function for remote activation from fire alarm panel (24 Vdc)
- Universal mounting

Dimensions





FirstLink

The Bodine BCA can be connected to the Bodine FirstLink application. FirstLink makes testing and reporting the status of a facility's emergency lighting system quick and easy. The FirstLink application enables the interconnection of FirstLink compatible exit signs, unit equipment, and emergency drivers and allows for the collection of product test results, the collation of that data into reports, and additional controls over the devices. For full details on what FirstLink and the FirstLink application can do, please see the FirstLink Application Guide.

The FirstLink app is initially available for iOS smart phones and can be found on the Apple app store. The FirstLink app for Android devices is soon to follow.

Application

The Bodine BCA Combo Exit Sign is a multi-purpose product that combines the benefits of an emergency exit sign and high performance emergency lighting unit equipment to indicate and illuminates the emergency path of egress.

Two lamp heads can be adjusted to provide optimum illumination and the unit comes with self-testing/self-diagnostic features, along with Firstlink connectivity, to ensure the product is always ready for an emergency and to simplify code compliance testing and maintenance.

Operation

When under normal power, the BCA's internal battery charges and the exit sign lettering is illuminated. Upon failure of normal power, the BCA begins providing emergency power to the lamp heads and exit sign lettering using the internal battery for a minimum of 90 minutes. When normal power is restored, the BCA automatically returns to charge mode. The battery capacity is fully restored in 24 hours.

During automated testing, the BCA simulates an AC power outage which causes the unit to switch to emergency mode and conduct a discharge test to monitor battery voltage and load operation. If a problem is detected the status indicator light flashes and the failure is logged. When testing is complete, the BCA returns to the charging mode. Automatic testing is conducted for 30 seconds once a month and 90 minutes once a year.

The optional fire alarm interface, when connected, causes the exit sign to flash when the local fire alarm is activated.

ABConnect (Automatic Bodine Connect) simplifies shipping, storage, installation, and commissioning of the emergency lighting luminaire. It allows for the luminaire to be installed and made ready for use without needing to reopen the luminaire when AC

power is available, also avoiding unnecessary drain on the battery. Once activated, the product can also be manually disabled, allowing the product or the luminaire to be safely stored for extended periods of time. In the situation where the user manually deactivates the emergency operation for shipping or storing product via the test switch, the Automatic Bodine Connect feature reactivates power when the driver senses that AC current is applied. This feature saves time, labor and the potential to overlook the converter connector step. This reduces the possibility of inadvertently discharging the battery prior to installation, whether in transit or storage.

Installation

The BCA can be either surface, wall, or ceiling mounted, as required by the end application. Canopy not required for surface mounting (electronics contained inside housing). The BCA includes pop-out chevron directional indicators that are easily removed when required. Exit sign mounts to standard single gang, 3" and 4" electrical boxes (canopy provided). The BCA requires unswitched AC line to illuminate the exit sign under normal mode, to charge the battery, and to identify when normal power is lost and when the unit must switch into the emergency mode.

Emergency Illumination

The BCA lamp heads provide 520 lumens of code compliant emergency illumination at unit-to-unit spacings up to 76'. For more information, see the illustration and table on page 3.

Code Compliance

The BCA has been tested by Underwriters Laboratories in accordance with the standards set forth in UL 924, "Emergency Lighting and Power Equipment". The BCA is UL Listed for field installation. Emergency illumination time exceeds the National Electrical Code (NEC), Life Safety Code (NFPA-LSC), and UL 90-minute requirements.

Warranty

The BCA is warranted for five (5) years from the date of manufacture. This warranty covers only properly installed product used under normal conditions. For the warranty period, Bodine will, at its option, repair or replace without charge a defective product provided it is returned to the factory transportation prepaid. An inspection will be conducted to determine if the unit is defective under the terms of the warranty. Repair or replacement, as stated, shall constitute the purchaser's exclusive warranty, which does not extend to transportation, installation, labor or any other charges; nor does it apply to any equipment of another manufacturer used in conjunction with the product.

Specification

Emergency exit and egress path lighting shall be provided by using the FirstLink Bodine BCA Combo Exit Sign from Bodine. Electronic circuitry shall be self-testing in design and automatically test emergency lighting for a minimum of 30 seconds every 28 days and 90 minutes once a year. The BCA shall come equipped with standard fire alarm input function for remote activation from fire alarm panel

When connected to the FirstLink app, the BCA test data will be collected, test results reports generated, and additional control and data are to be had.

The BCA shall provide emergency lighting at 10°C to 40°C for a minimum of 90 minutes, and shall exceed emergency standards set forth by the current NEC. This device shall comply with Part 15 of the FCC Rules, and meet DOE (Department of Energy) efficiency standards. It shall be UL Listed, suitable for damp locations, and warranted for five years from date of manufacture.



BCA

Combo Exit – Exit Sign+Unit Equipment

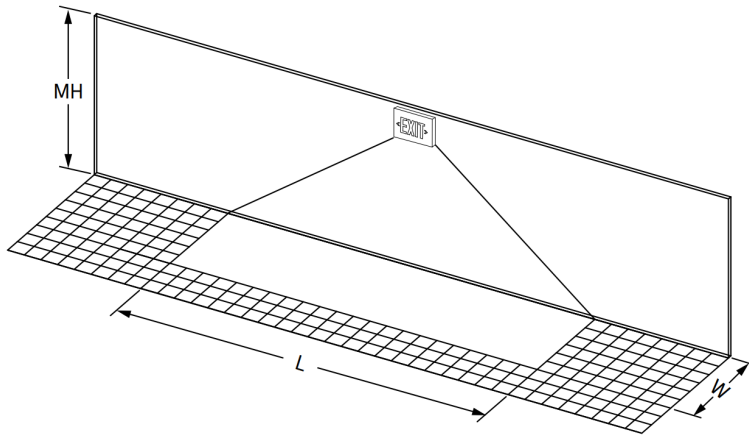
Performance

Meets Life Safety Code Illumination standard average of 1.0 FC, no point less than 0.1 FC max to min ratio of 40:1.
 Assumes open space with no obstructions. NFPA 101, Life Safety Code matches California Fire Code of Regulations, Title 24.
 Normal operation (off/standby) is not to be confused with emergency operation.

FirstLink BCA combo exit performance				
	80/50/20 Reflectance†		10/10/10 Reflectance‡	
	3' Path	6' Path	3' Path	6' Path
Single Unit Coverage	56'	52'	48'	40'
Center-to-Center	76'	60'	63'	55'

†Based on 6ft corridor and 9ft ceiling height and a mounting height of 7.5ft.

‡Based on 200ft by 200ft open area and 30ft ceiling height.



Ordering Guide

Example: BCA2RWFL1

Product Category	Lumen Level	Color	Options	Generation
BCA	2	<input type="checkbox"/>	FL	1
BCA Bodine LED Exit/Unit Combo (Family A)	2 520 Lumens	RW Red Letters on White Housing GW Green Letters on White Housing	FL FirstLink	1



© 2023 Signify Holding. All rights reserved. The information provided herein is subject to change, without notice. Signify does not give any representation or warranty as to the accuracy or completeness of the information included herein and shall not be liable for any action in reliance thereon. The information presented in this document is not intended as any commercial offer and does not form part of any quotation or contract, unless otherwise agreed by Signify.

Signify North America Corporation
 400 Crossing Blvd, Suite 600
 Bridgewater, NJ 08807
 Telephone: 855-486-2216

Signify Canada Ltd.
 281 Hillmount Road,
 Markham, ON, Canada L6C 2S3
 Telephone: 800-668-9008

All trademarks are owned by Signify Holding or their respective owners.