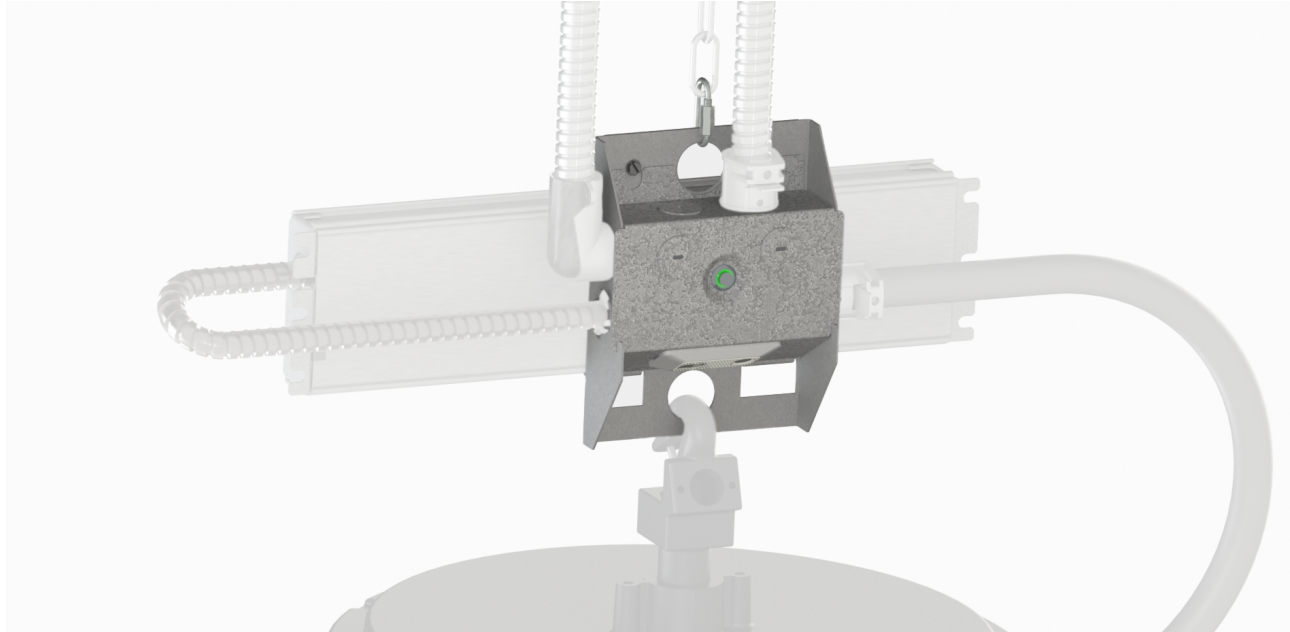




PRT00269 – ELI-S-25 and ELI-S-50 Mounting Bracket



Model #: PRT00269

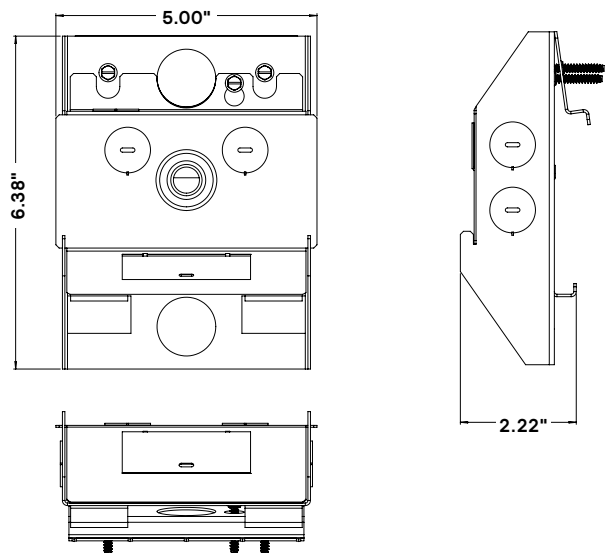
12NC: 913702493401

Optional hanger/mounting bracket/wiring compartment for the ELI-S-25 and ELI-S-50 for high-bay applications

Specifications:

- Provides a simple means to hang a luminaire while also providing a location to mount and the wire the ELI-S-25 or ELI-S-50.
- Kit includes an 18-gauge galvanized steel bracket with wiring compartment, 20-gauge galvanized steel wiring compartment cover, and two zinc plated steel quick links rated for 198 lbs (90kg).
- Test Switch mounts to the wiring compartment cover for easy viewing of the charge indicator.
- Six (6) - 1/2" Trade Size knock-outs for flexibility in wiring
- Listed as an accessory component in the UL 924 files of the ELI-S-25 and ELI-S-50 products

Dimensions:



The information presented in this document is not intended as any commercial offer and does not form part of any quotation or contract. This product is designed for use with other Bodine branded products.