



2 Lamphed Emergency Lighting Unit
FirstLink Compatible for Automated Testing and Reporting
 180 Lumens Emergency Lighting Output
 UV Stable Thermoplastic Housing
 UL 94 5VA Flame Rating



Project: _____
 Location: _____
 Cat.No: _____
 Type: _____
 Qty: _____
 Notes: _____

Product order number:
 BUA1WFL1

12 NC number:
 929002756713

Specifications

Regulatory

Listed to UL 924 for Field Installation in US and Canada (Indoor and Damp)
 NFPA 70 (National Electric Code)
 NFPA 101 (Life Safety Code)
 CEC Title 20 Compliant

Emergency Output Lumens (lamp heads)

180 lumens (total)
 Fixture spacing - see page 3

Illumination Time

90 Minutes

AC Input Voltage

Universal input 120 - 277 VAC, 50/60 Hz

AC Input Current (max)

120 Vac = 35 mA
 277 Vac = 25 mA

Recharge Time

24 Hours

Charging Indicator Light / Test Switch

Integrated, Bi-color LED Test Switch

Temperature Rating (Ambient)

50° F to 104° F (10° C to 40° C)

Battery

Integral Maintenance-Free Lithium-Ion Battery

Construction

White thermoplastic housing
 UL94 5VA Flame Rated, UV stable
 Contractor friendly snap together design
 Electronics and battery contained within housing

Installation

Wall and Ceiling mounting
 Back plate keyhole slots are easily removable
 knockouts for securing to a 3" or 4" j-box

Lamps

Two (2) 1.0 W LED lamp sources (5000K)
 Lampheds adjustable

Wireless range*

40' (typical minimum)
 80' (line of sight)

Surge Rating

NEMA/ANSI C82.77-5-2017 100kHz Ring Wave (w/t 30Ω)
 >2.5kV Differential (L-N)
 >2.5kV Common (L-G, N-G, L&N-G)

Dimensions

4.75" H x 7.125" W x 2.375" D
 (120mm x 181mm x 67mm)

Weight

1.1 lbs. (0.5 kg)

Warranty

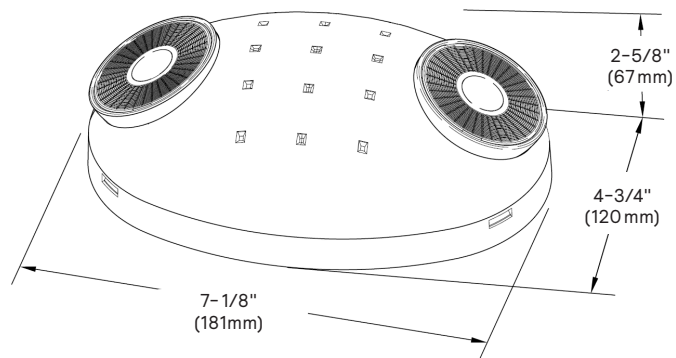
5 Years (not pro-rata)

*Wireless range can be impacted by many factors, which must be taken into account during the system design.

Benefits

- FirstLink connectivity for easy emergency lighting system testing and maintenance
- Easy installation with ABConnect
- Automatic code-compliant testing
- UL 924 Listed for field installation
- Meets CEC Title 20 efficiency standards
- Low profile, contemporary design
- Two high output adjustable LED lampheds

Dimensions



BUA1

Unit Equipment



FirstLink

The Bodine BUA1 can be connected to the Bodine FirstLink application. FirstLink makes testing and reporting the status of a facility's emergency lighting system quick and easy. The FirstLink application enables the interconnection of FirstLink compatible exit signs, unit equipment, and emergency drivers and allows for the collection of product test results, the collation of that data into reports, and additional controls over the devices. For full details on what FirstLink and the FirstLink application can do, please see the FirstLink Application Guide.

The FirstLink app is initially available for iOS smart phones and can be found on the Apple app store. The FirstLink app for Android devices is soon to follow.

Application

The Bodine BUA1 Unit Equipment is a high performance emergency lighting unit equipment that illuminates the path of emergency egress.

Two lamp heads can be adjusted to provide optimum illumination and the unit comes with self-testing/self-diagnostic features, along with Firstlink connectivity, to ensure the product is always ready for an emergency and to simplify code compliance testing and maintenance.

Operation

When under normal power, the BUA1's internal battery charges. Upon failure of normal power, the BUA1 begins providing emergency power to the lamp heads using the internal battery for a minimum of 90 minutes. When normal power is restored, the BUA1 automatically returns to charge mode. The battery capacity is fully restored in 24 hours.

During automated testing, the BUA1 simulates an AC power outage which causes the unit to switch to emergency mode and conduct a discharge test to monitor battery voltage and load operation. If a problem is detected the status indicator light flashes and the failure is logged. When testing is complete, the BUA1 returns to the charging mode. Automatic testing is conducted for 30 seconds once a month and 90 minutes once a year.

ABCConnect (Automatic Bodine Connect) simplifies shipping, storage, installation, and commissioning of the emergency lighting luminaire. It allows for the luminaire to be installed and made ready for use without needing to reopen the luminaire when AC power is available, also avoiding unnecessary drain on the battery. Once activated, the product can also

be manually disabled, allowing the product or the luminaire to be safely stored for extended periods of time. In the situation where the user manually deactivates the emergency operation for shipping or storing product via the test switch, the Automatic Bodine Connect feature reactivates power when the driver senses that AC current is applied. This feature saves time, labor and the potential to overlook the converter connector step. This reduces the possibility of inadvertently discharging the battery prior to installation, whether in transit or storage.

Installation

The BUA1 can be either wall or ceiling mounted, as required by the end application. The BUA1 can be mounted on surface conduit (entry on top of housing in center of backplate). It can also mount to a standard single gang, 3" and 4" electrical box. The BUA1 requires unswitched AC line to charge the battery and to identify when normal power is lost and when the unit must switch into the emergency mode.

Emergency Illumination

The BUA1 lamp heads provide 180 lumens of code compliant emergency illumination at unit-to-unit spacings up to 40'. For more information, see the illustration and table on page 3.

Code Compliance

The BUA1 has been tested by Underwriters Laboratories in accordance with the standards set forth in UL 924, "Emergency Lighting and Power Equipment". The BUA1 is UL Listed for field installation. Emergency illumination time exceeds the National Electrical Code (NEC), Life Safety Code (NFPA-LSC), and UL 90-minute requirements.

Warranty

The BUA1 is warranted for five (5) years from the date of manufacture. This warranty covers only properly installed product used under normal conditions. For the warranty period, Bodine will, at its option, repair or replace without charge a defective product provided it is returned to the factory transportation prepaid. An inspection will be conducted to determine if the unit is defective under the terms of the warranty. Repair or replacement, as stated, shall constitute the purchaser's exclusive warranty, which does not extend to transportation, installation, labor or any other charges; nor does it apply to any equipment of another manufacturer used in conjunction with the product.

Specification

Emergency egress path lighting shall be provided by using the FirstLink BUA1 Unit Equipment from Bodine. Electronic circuitry shall be self-testing in design and automatically test emergency lighting for a minimum of 30 seconds every 28 days and 90 minutes once a year.

When connected to the FirstLink app, the BUA1 test data will be collected, test results reports generated, and additional control and data are to be had.

The BUA1 shall provide emergency lighting at 10°C to 40°C for a minimum of 90 minutes, and shall exceed emergency standards set forth by the current NEC. This device shall comply with Part 15 of the FCC Rules, and meet CEC Title 20 (California Energy Commission) efficiency standards. It shall be UL Listed, suitable for damp locations, and warranted for five years from date of manufacture.



BUA1

Unit Equipment

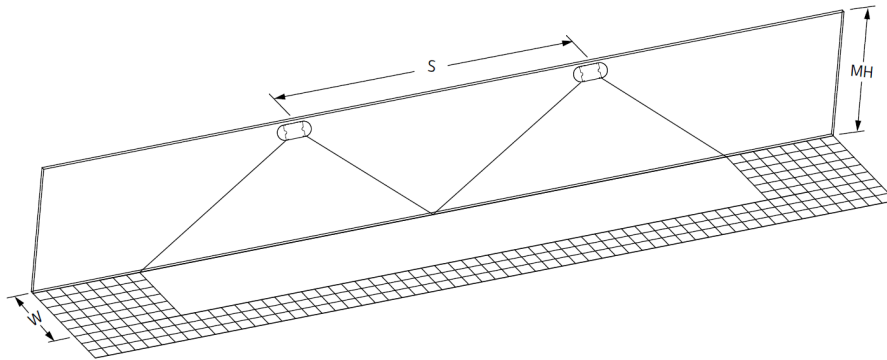
Performance

Meets Life Safety Code Illumination standard average of 1.0 FC, no point less than 0.1 FC max to min ratio of 40:1.
 Assumes open space with no obstructions. NFPA 101, Life Safety Code matches California Fire Code of Regulations, Title 24.
 Normal operation (off/standby) is not to be confused with emergency operation.

	FirstLink BUA1 performance			
	80/50/20 Reflectance [†]		10/10/10 Reflectance [‡]	
	3' Path	6' Path	3' Path	6' Path
Single Unit Coverage	-	-	36'	28'
Center-to-Center	40'	35'	-	-

[†]Based on 6ft corridor and 9ft ceiling height and a mounting height of 7.5ft.

[‡]Based on 200ft by 200ft open area and 30ft ceiling height.



Ordering Guide

Example: BUA1WFL1

Product Category	Lumen Level	Housing Color	Options	Generation
BUA	1	W	FL	1
BUA Bodine Unit Equipment (Family A)	1 180 Lumens	W White Housing	FL FirstLink	1



© 2023 Signify Holding. All rights reserved. The information provided herein is subject to change, without notice. Signify does not give any representation or warranty as to the accuracy or completeness of the information included herein and shall not be liable for any action in reliance thereon. The information presented in this document is not intended as any commercial offer and does not form part of any quotation or contract, unless otherwise agreed by Signify.

Signify North America Corporation
 400 Crossing Blvd, Suite 600
 Bridgewater, NJ 08807
 Telephone: 855-486-2216

Signify Canada Ltd.
 281 Hillmount Road,
 Markham, ON, Canada L6C 2S3
 Telephone: 800-668-9008

All trademarks are owned by Signify Holding or their respective owners.