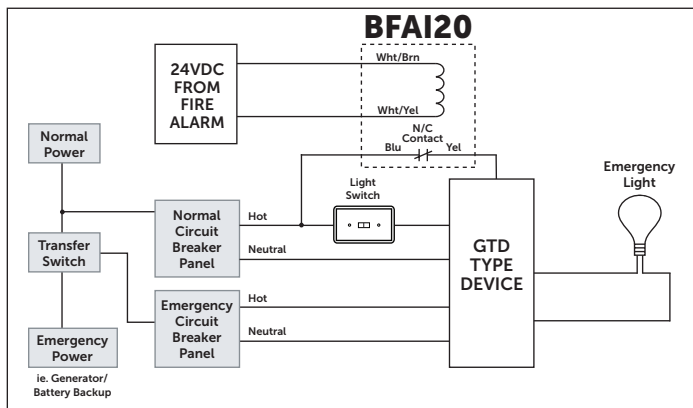
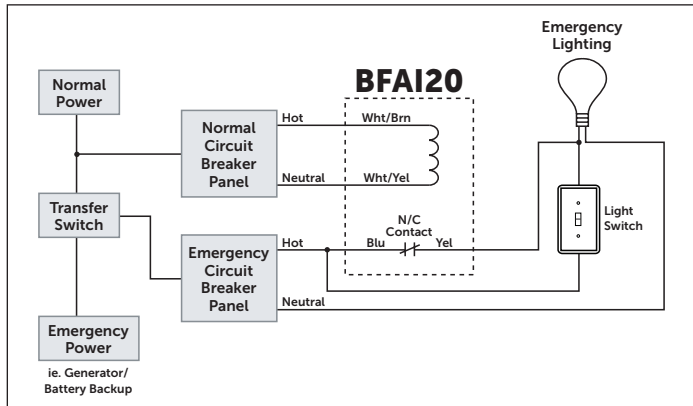


UL 924

Emergency Lighting and Power Equipment

Example Wiring for BFAI20



IMPORTANT SAFEGUARD: INSULATE UNUSED LEADS INDIVIDUALLY

When using electrical equipment, basic safety precautions should always be followed including the following:

READ AND FOLLOW ALL SAFETY INSTRUCTIONS

1. Do not use outdoors.
2. Do not mount near gas or electric heaters.
3. Equipment should be mounted in locations and at heights where it will not readily be subjected to tampering by unauthorized personnel.
4. The use of accessory equipment not recommended by the manufacturer may cause an unsafe condition.
5. Do not use equipment for other than intended use.
6. Servicing of this equipment should be performed by a qualified service personnel.

SAVE THESE INSTRUCTIONS.

BFAI20

COIL INPUT RATINGS:

66mA @ 24 Vac
38 mA @ 24 Vdc
40 mA @ 120-277 Vac

CONTACT RATINGS:

10 Amp General Use @ 277 Vac
10 Amp Resistive @ 30 Vdc (N/O)
7 Amp Resistive @ 30 Vdc (N/C)
1/2 HP @ 125 Vac
1 HP @ 250 Vac
1/4 HP @ 277 Vac
C300 Pilot Duty

Wht/Brn
120-277 Vac

Blu
N/C

