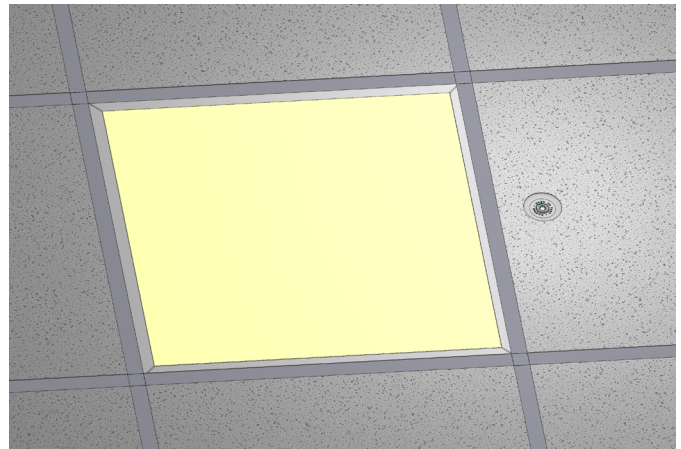




PRT00272 – Snap-In Test Switch Bracket



Model #: PRT00272

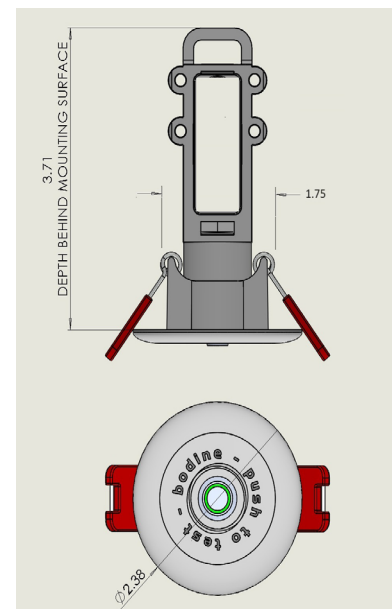
12NC: 913702494701

Optional mounting bracket for newer Bodine metal test switches

Specifications:

- Kit includes two pieces – test switch mounting bracket and cover plate with mousetrap snap wings for quick installation
- Primarily made of ABS thermoplastic polymer with a UL94-5VA rating
- Installs easily in a drop ceiling tile or through a sheetrock ceiling (requires one 1.75" hole)
- Provides a more aesthetic look in the final installation for the emergency LED driver test switch (cleaner look with recessed port requiring a more direct angle to view the indicator light).
- Requires separate metal test switch provided with many Bodine emergency LED drivers
- Bracket can be used with the metal test switches used in the following Bodine products: BSL06M5, BSL06T3, BSL10T3, BSL14B2, BSL14B6, BSL20B2 and BSL20B6.

Dimensions:



The information presented in this document is not intended as any commercial offer and does not form part of any quotation or contract. This product is designed for use with other Bodine branded products.