



Branch Circuit Emergency Lighting Transfer Switch (BCELTs)
Switch Bypass Device (Shunt)
First Dual Listed Emergency Lighting Control Device for UL 1008 and UL 924
Universal Input / Reduced Input Current
0-10V Dimming Override

Project: _____
Location: _____
Cat.No: _____
Type: _____
Qty: _____
Notes: _____

Product order number:
GTD20AM

12NC number:
913710855502

Specifications

UL Listed

UL 924 and UL 1008 Listed for field installation as a Switch Bypass or Branch Circuit Emergency Lighting Transfer Switch (BCELTs)
Also tested to CSA 22.2 No. 141 as a Switch Bypass

Approved Lighting Loads

Any Type

Weight

5 lbs (2.3 kg)

Lighting Load Rating

20 A Maximum

Warranty

5 Years (NOT pro-rata)

Universal Input Voltage

120-277 VAC, 50/60 Hz

Transfer Time

55 ms

AC Input Current

45 mA (Sensing Circuit Only)

Temperature Rating (Ambient)

-20°C to +55°C (-4°F to +131°F)

AC Input Power Rating

4.0 W (Sensing Circuit Only)

Dimensions

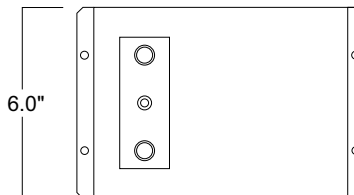
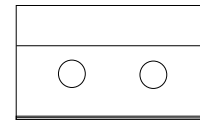
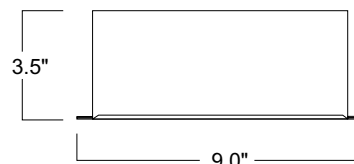
9" x 6" x 3.5" (229 mm x 152 mm x 89 mm)
Mounting Center 8.5" x 2.5" (216 mm x 63.5 mm)

Benefits:

- Allows generator and central inverter supplied emergency lighting regardless of wall switch position or dimmer setting
- Energy costs savings benefits by eliminating constant night lighting
- Can be used with most incandescent, fluorescent and LED lighting
- Can be used as either a branch circuit emergency lighting transfer switch (BCELTs) or switch bypass (shunt)
- Offers 0-10V dimming override to bring dimmed luminaires up to full illumination during emergency conditions

Dimensions

9.0" x 6.0" x 3.5"
Mounting Center 8.5" x 2.5"



GTD20A

Emergency Lighting Control Device for Generator and Central Inverter Applications

Application

The GTD20A works in conjunction with an auxiliary generator or central inverter system to power designated lighting loads up to 20 amps regardless of local switch position. The device consists of relay switching circuitry in a single, wall-mountable enclosure. The GTD20A senses the loss of normal power and, in response, switches the lighting load to a designated emergency power source. The device can be used to: (1) transfer a lighting load from normal power to generator or central inverter system power when normal power is lost; (2) bypass a wall switch to allow generator or central inverter system-supplied lighting loads to energize when normal power is lost; (3) bypass a dimming panel and prevent backfeed to allow lighting to energize at full brightness when normal power is lost; and (4) bypass most dimming controls using an auxiliary relay contact. The GTD20A includes three dry form C contacts, which allows the user a wide variety of wiring options. For additional applications and information, please contact Technical Support. The GTD20A is suitable for use in indoor and damp locations.

Operation

The GTD20A senses the loss of normal power and switches the lighting load, connecting it to an emergency lighting circuit. No routine maintenance is required to keep the GTD20A functional; however, like other life safety equipment, it should be checked periodically to ensure that it is working properly.

Installation

The GTD20A does not affect normal fixture operation and comes fully assembled for immediate installation. In addition to available wiring, the device requires a direct, unswitched connection to a normal power circuit and, depending on the application, an unswitched connection to a generator or central inverter system-supplied emergency panel. See diagrams below for typical installations.

UL and Code Compliance

The GTD20A has been tested by Underwriters Laboratories in accordance with standards set forth in UL 1008 for Automatic Transfer Switches (BCELTS) and UL 924 for Emergency Lighting Switch Bypass Devices. The GTD20A also complies with the requirements set forth in the CSA C22.2 No.141 standard for emergency lighting equipment. The GTD20A is UL Listed for field installation.

Specification

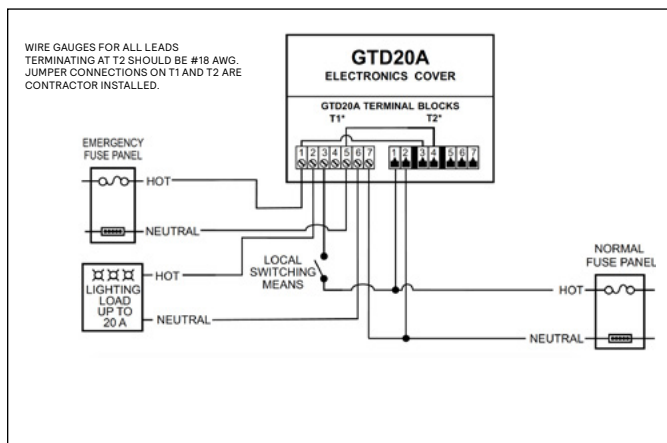
Emergency lighting shall be provided by using existing lighting loads equipped with a Bodine GTD20A emergency lighting control device. The device shall be capable of bypassing the local switching means and overriding the 0-10V circuit dimming controls when normal utility power has been lost. The device shall consist of relay switching circuitry, a test switch, a normal power indicator light and an emergency power indicator light contained in one 9" x 6" x 3.5" painted metal enclosure; shall sense normal power at 120 through

277 VAC, 50/60 Hz; shall be rated for 120 through 277 VAC, 50/60 Hz at up to 20 amps of lighting load; shall draw 45 mA and 4.0 Watts during normal sensing operation; shall transfer in 55 ms (nominally) and shall comply with the current NEC. The device shall be UL Listed for field installation in indoor or damp locations and shall be warranted for a full five years from date of purchase.

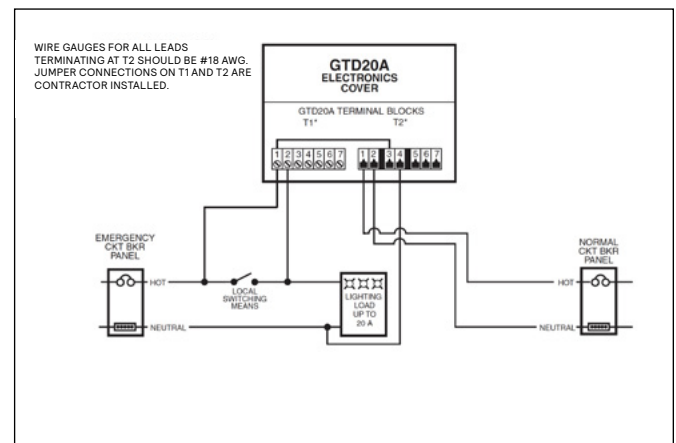
Warranty

The GTD20A generator transfer device is warranted for five (5) full years from date of purchase. Please see detailed warranty information on our website.

Schematics



GTD20A wired as BCELTS



GTD20A wired as Switch Bypass

